

REV.	DESCRIPTION	APP.	DATE
A	NEW DESIGN	Amos	2012-06-18

CUSTOMER COPY

ORDER INFORMATION

171 88 08 XX X

- 3:Plating Gold Flash
- No. of Contact
- H=1.0mm 2mm / 3.7mm / 5.5mm
- 雙排雙塑分離SMT有柱 Type

SPECIFICATIONS

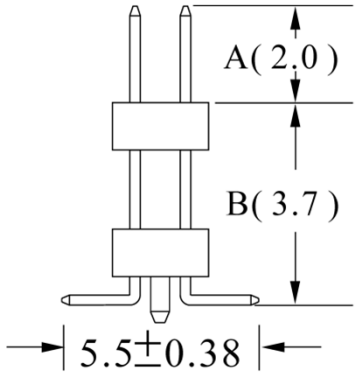
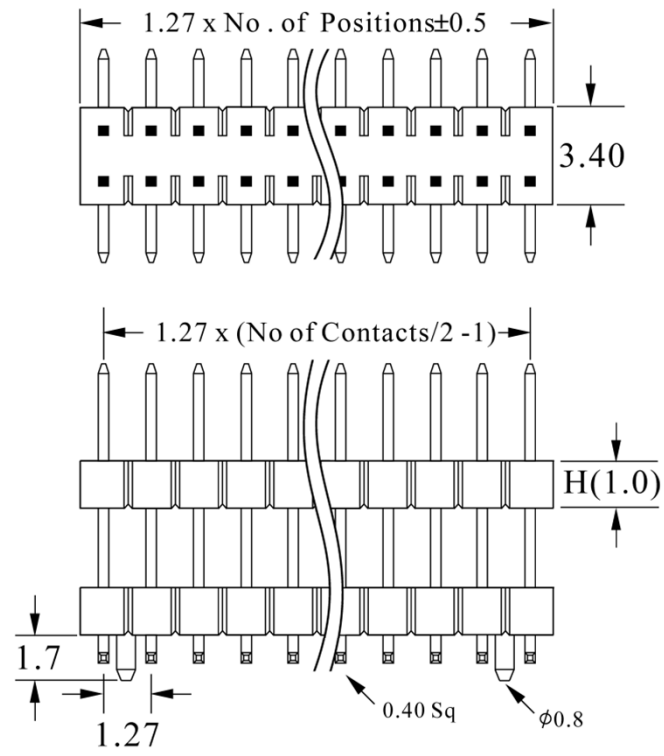
- Current Rating : 1 Amps
- Insulator resistance : 5000 Megohms
- Dielectric withstanding : AC 500V
- Operating Temperature : -40°C ~ +105°C

MATERIAL :

- Housing : High Temperature Thermoplastic
- Terminal : Brass



		鈺滿榮企業股份有限公司 ACMELUX CO., LTD. TEL:886-2-85124595 FAX:886-2-85124322	
		TITLE: Pitch 1.27mm 雙排雙塑 分離SMT有柱 Type Pin Header Connector	PART NO: APP BY: <i>Hung</i> CHK BY: <i>Cheryl</i> DR BY: <i>Amos</i>
0.0±0.30 0.00±0.20 0.000±0.15	SCALE: 1:1 UNIT: mm	MATL: RoHS DWG. NO. C1718808XXX	A225



Recommended P.C.Board Hole Layout :

